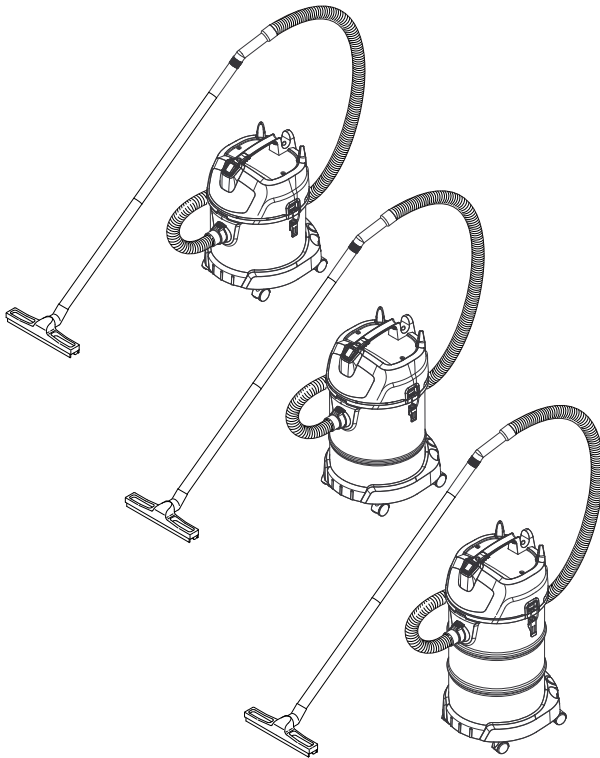


NT 20/1 Me Classic
NT 30/1 Me Classic
NT 38/1 Me Classic



Deutsch	5
English	8
Français	11
Italiano	14
Nederlands	17
Español	20
Português	23
Dansk	26
Norsk	29
Svenska	32
Suomi	35
Ελληνικά	38
Türkçe	42
Русский	45
Magyar	49
Čeština	52
Slovenščina	55
Polski	58
Românește	61
Slovenčina	64
Hrvatski	67
Srpski	70
Български	73
Eesti	76
Latviešu	79
Lietuviškai	82
Українська	85



**Register
your product**

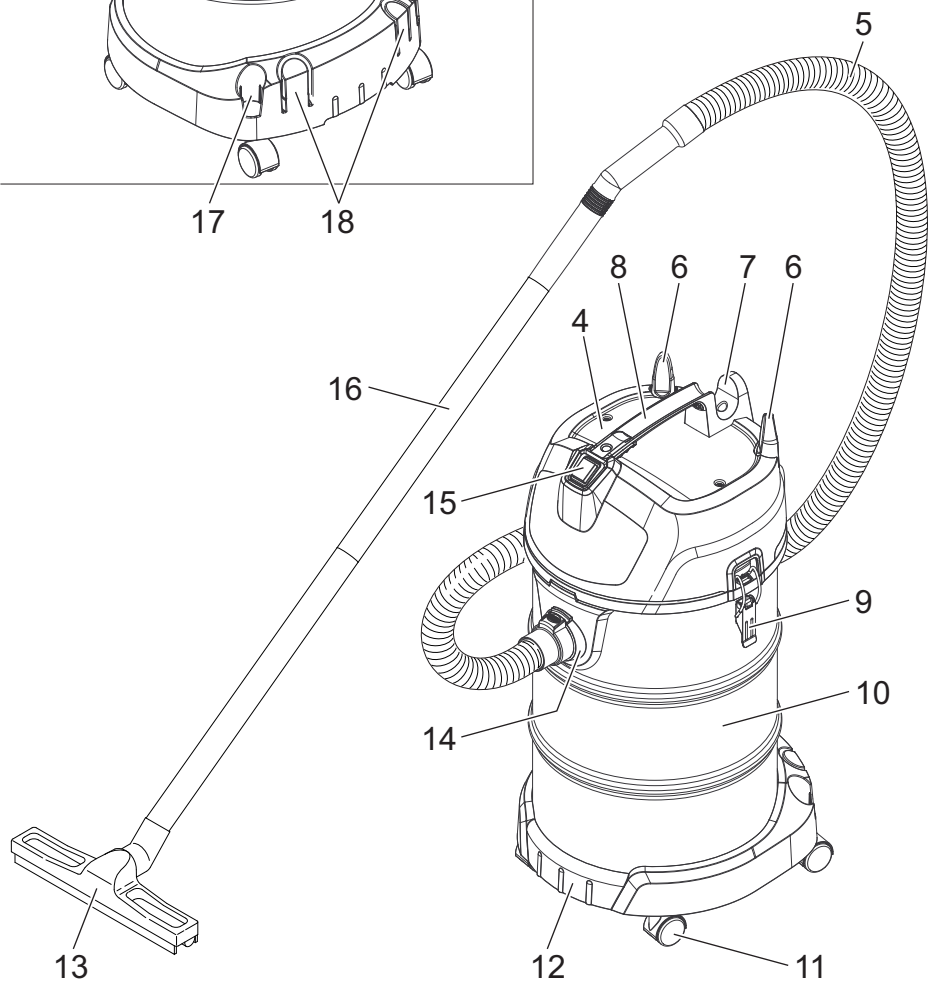
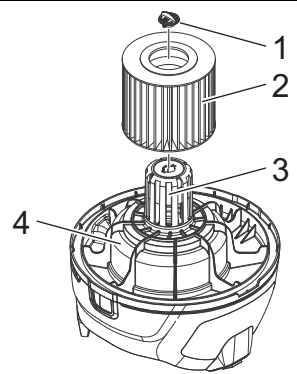
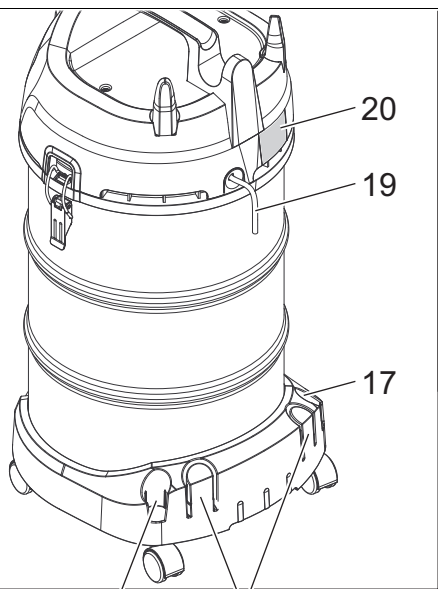
www.kaercher.com/welcome

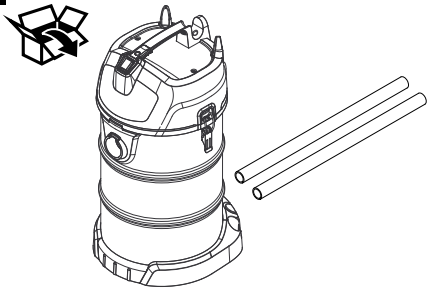
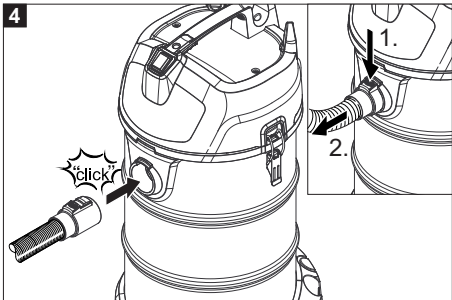
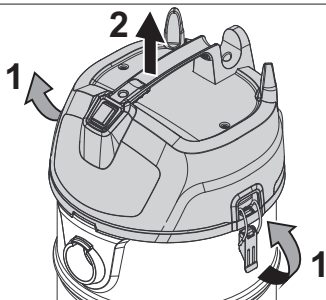
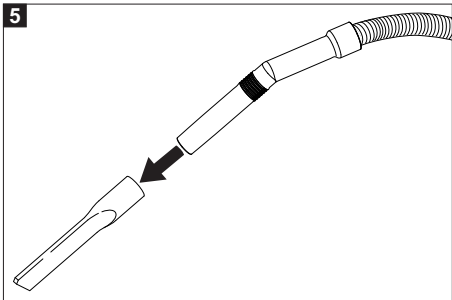
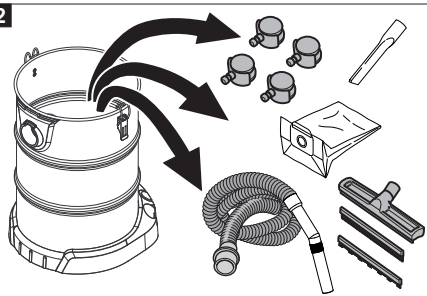
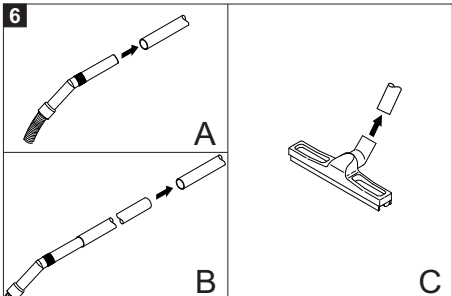
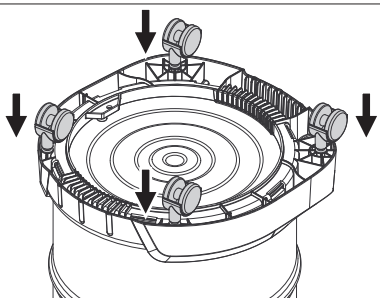
EAC

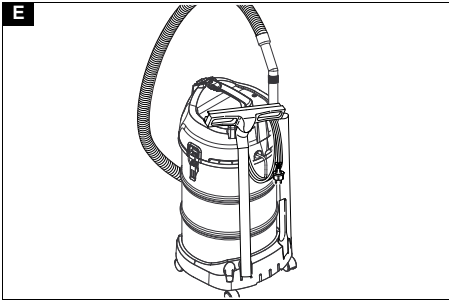
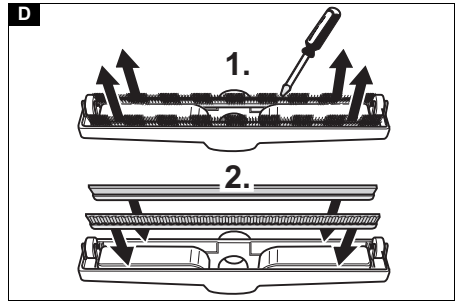
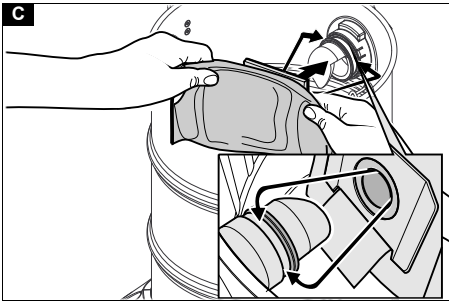


59652100 (01/21)

A



B**4****1****5****2****6****3**



Contents

General notes	8
Environmental protection	8
Intended use	8
Description of the unit	8
Preparation	8
Initial startup	8
Operation	9
Transport	9
Storage	9
Care and service	9
Troubleshooting guide	9
Warranty	9
Accessories and spare parts	9
EU Declaration of Conformity	10
Technical data	10

General notes



Read these original instructions and the enclosed safety instructions before using the device for the first time. Act in accordance with them.

Keep both books for future reference or for future owners.

- If the operating instructions and safety instructions are not observed, the device can be damaged and dangers could arise for users and other persons.
- Notify the dealer immediately in the case of shipping damage.
- Check the package contents when unpacking for missing accessories or for damage.

Environmental protection



The packing materials can be recycled. Please dispose of packaging in accordance with the environmental regulations.



Electrical and electronic appliances contain valuable, recyclable materials and often components such as batteries, rechargeable batteries or oil, which - if handled or disposed of incorrectly - can pose a potential threat to human health and the environment. However, these components are required for the correct operation of the appliance. Appliances marked by this symbol are not allowed to be disposed of together with the household rubbish.

Notes on the content materials (REACH)

Current information on content materials can be found at: www.kaercher.com/REACH

Intended use

⚠ WARNING

Health risk

Inhalation of dusts that are harmful to health

Do not use the device for vacuuming up dusts that are harmful to health.

- This vacuum cleaner is intended for the wet and dry cleaning of floor and wall surfaces.
- This unit is suitable for commercial use, e.g. on construction sites, in industrial systems, in workshops and rental companies.

Description of the unit

Illustration A

- ① Fastening clip
- ② Cartridge filter
- ③ Float
- ④ Suction head
- ⑤ Suction hose with angle piece
- ⑥ Cable hook/socket for angle piece
- ⑦ Hose/cable holder
- ⑧ Carrying handle
- ⑨ Suction head lock
- ⑩ Dirt receptacle
- ⑪ Steering roller
- ⑫ Chassis
- ⑬ Floor nozzle
- ⑭ Suction hose port
- ⑮ Main switch
- ⑯ Suction pipe
- ⑰ Holder (narrow)
- ⑱ Holder (wide)
- ⑲ Mains cable
- ⑳ Type plate

Preparation

1. Unpack the device and install the accessories.

Illustration B

Initial startup

ATTENTION

Danger due to fine dust entering

Risk of damage to the suction motor.

Never remove the cartridge filter when vacuuming.

Dry vacuuming

- An additional paper filter bag can be used when vacuuming fine dust.
- When changing from wet to a dry vacuuming, let the wet cartridge filter dry, or replace it with a dry one.

Installing the paper filter bag

1. Unlock and remove the suction head.
2. Connect the paper filter bag.

Illustration C

3. Fit and lock the suction head.

Wet vacuum cleaning

Installing the squeegees

1. Remove the brush strip.

Illustration D

2. Install the squeegees.

Note

The structured side of the squeegees must face outwards.

Removing the paper filter bag

- The paper filter bag must always be removed when vacuuming wet substances.

Operation

Switching on the device

1. Connect the mains plug.
2. Switch on the device at the main switch.

Cleaning mode

1. Perform cleaning.

Draining the dirt receptacle

- The suction duct is equipped with a float.
 - When the maximum permissible waste water level in the container is reached, the suction volume is interrupted.
1. Switch off the device at the main switch.
 2. Unlock and remove the suction head.
 3. Empty the dirt receptacle.

Switching off the device

1. Switch off the device at the main switch.
2. Pull out the mains plug.

Each time after use

1. Empty the dirt receptacle.
2. Vacuum off the inside and outside of the device and clean with a moist cloth.

Storing the device

1. Store the suction pipe, suction hose and mains cable as shown in the illustration.

Illustration E

2. Store the device in a dry room and secure it against unauthorised use.

Transport

⚠ CAUTION

Failure to observe the weight

Risk of injury and damage

Be aware of the weight of the device during transportation.

1. Transport the unit as shown in the illustration.

Illustration F

2. When transporting the device in vehicles, secure it to prevent it from slipping or overturning in accordance with the respective valid guidelines.

Storage

⚠ CAUTION

Failure to observe the weight

Risk of injury and damage

Be aware of the weight of the device during storage.

The device may only be operated indoors.

Care and service

⚠ DANGER

Danger of electric shock

Injuries due to touching live parts

Switch off the device.

Remove the mains plug.

Changing the cartridge filter

1. Unlock and remove the suction head.
2. Turn the suction head by 180 ° and set it down.
3. Undo the fastening clip.
4. Remove the cartridge filter.
5. Install new cartridge filter.
6. Fit and lock the fastening clip.
7. Fit and lock the suction head.

Troubleshooting guide

⚠ DANGER

Danger of electric shock

Injuries due to touching live parts

Switch off the device.

Remove the mains plug.

Suction turbine does not start up

1. Check the socket and the power supply fuse.
2. Check the mains cable and the mains plug of the device.
3. Switch on the device.

Suction turbine runs, but the device does not suck

Float closes suction duct

1. Empty the dirt receptacle.

Suction power decreases

1. Remove any blockages from the suction nozzle, suction pipe, suction hose or cartridge filter.
2. Change the filled paper filter bag.
3. Change the cartridge filter.

Escaping dust when vacuuming

1. Check that the cartridge filter is correctly fitted.
2. Change the cartridge filter.

Customer Service department

If the malfunction cannot be corrected, the device must be checked by the Customer Service department.

Warranty

The warranty conditions issued by our relevant sales company apply in all countries. We shall remedy possible malfunctions on your appliance within the warranty period free of cost, provided that a material or manufacturing defect is the cause. In a warranty case, please contact your dealer (with the purchase receipt) or the next authorised customer service site. (See overleaf for the address)

Accessories and spare parts

Only use original accessories and original spare parts. They ensure that the appliance will run fault-free and safely.

Information on accessories and spare parts can be found at www.kaercher.com.

EU Declaration of Conformity

We hereby declare that the machine described below complies with the relevant basic safety and health requirements in the EU Directives, both in its basic design and construction as well as in the version placed in circulation by us. This declaration is invalidated by any changes made to the machine that are not approved by us.

Product: Wet/dry vacuum cleaner
Type: 1.428-xxx

Currently applicable EU Directives

2006/42/EC (+2009/127/EC)
2011/65/EU
2014/30/EU

Harmonised standards used

EN IEC 63000: 2018
EN 55014-1: 2017 + A11: 2020
EN 55014-2: 2015
EN 60335-1
EN 60335-2-69
EN 61000-3-2: 2014

EN 61000-3-3: 2013

EN 62233: 2008

National standards used

The undersigned act on behalf and under the power of attorney of the company management.



H. Jenner
Chairman of the Board of Management




S. Reiser
Director Regulatory Affairs & Certification

Documentation supervisor:

S. Reiser
Alfred Kärcher SE & Co. KG
Alfred-Kärcher-Str. 28 - 40
71364 Winnenden (Germany)
Ph.: +49 7195 14-0
Fax: +49 7195 14-2212
Winnenden, 2020/10/01

Technical data

		NT 20/1 Me Classic	NT 30/1 Me Classic	NT 38/1 Me Classic
Electrical connection				
Mains voltage	V	220-240	220-240	220-240
Phase	~	1	1	1
Power frequency	Hz	50-60	50-60	50-60
Degree of protection		IPX4	IPX4	IPX4
Protection class		II	II	II
Nominal power	W	1300	1300	1300
Maximum power	W	1500	1500	1500
Device performance data				
Tank content	l	19	28	36
Fluid filling quantity	l	12	21	29
Air quantity (max.)	l/s	59	59	59
Vacuum (max.)	kPa (mbar)	22,7 (227)	22,7 (227)	22,7 (227)
Dimensions and weights				
Typical operating weight	kg	7,2	7,8	8,4
Length x width x height	mm	380 x 365 x 520	380 x 365 x 640	380 x 365 x 735
Diameter of the suction hose	mm	35	35	35
Ambient conditions				
Ambient temperature (max.)	°C	+40	+40	+40
Determined values in acc. with EN 60335-2-69				
Sound pressure level L_{pA}	dB(A)	78	78	78
Uncertainty K_{pA}	dB(A)	1	1	1
Hand-arm vibration value	m/s^2	<2,5	<2,5	<2,5
Uncertainty K	m/s^2	1	1	1
Mains cable				
Power cord type	mm ²	H05VV-F 2x1,0	H05VV-F 2x1,0	H05VV-F 2x1,0
Part number (EU)		9.770-820.0	9.770-820.0	9.770-820.0
Cable length	m	6,5	6,5	6,5

Subject to technical modifications.